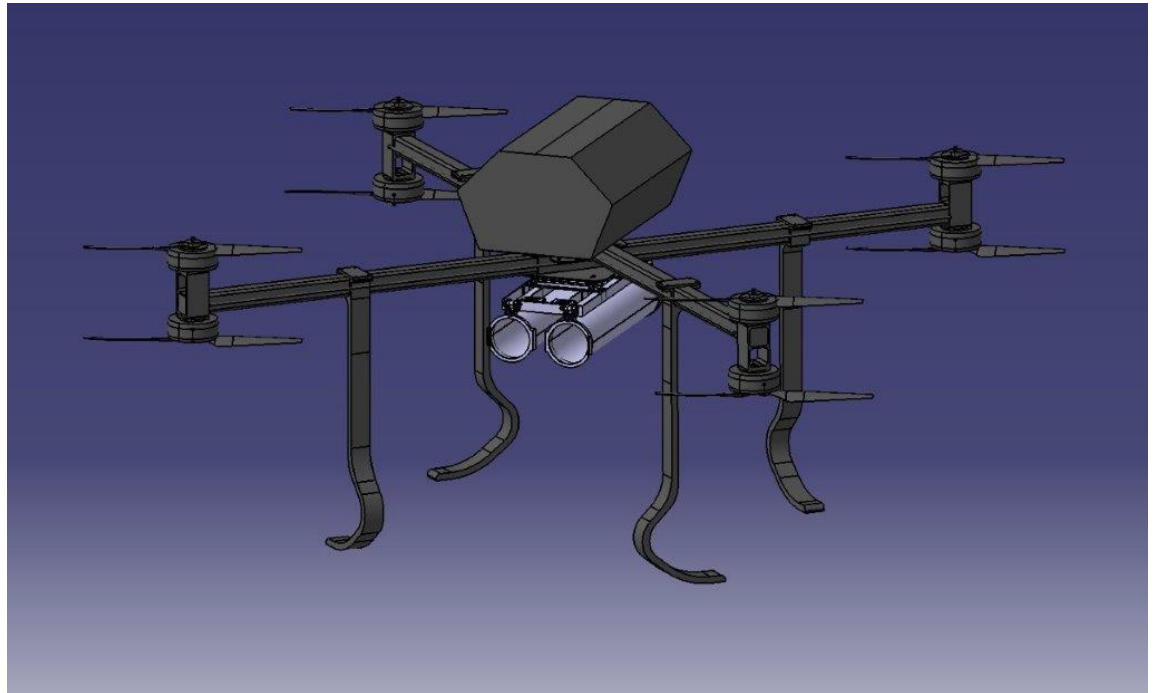




REMOTE-CONTROLLED WEAPON STATION WITH 2 BOMBS 120 mm



A remote-controlled weapon station with two bombs 120 mm is an optional payload for the short-range combat multicopter OBAD designed for rapid deployment and high-mobility military applications. It can destroy and disable close-distance objects and armored or non-armored vehicles and manpower. OBAD can be operated manually or programmed for autonomous operation, utilizing the system's advanced avionics and precise GNS navigation that provides greater precision accuracy and reliability.

TECHNICAL CHARACTERISTICS:

Weapon:	2 unguided bombs 120 mm
Weapon weight:	25,2 kg
Explosive charge:	hexolit or TNT
Lethal radius:	20 m
Control:	remote wireless controlled

