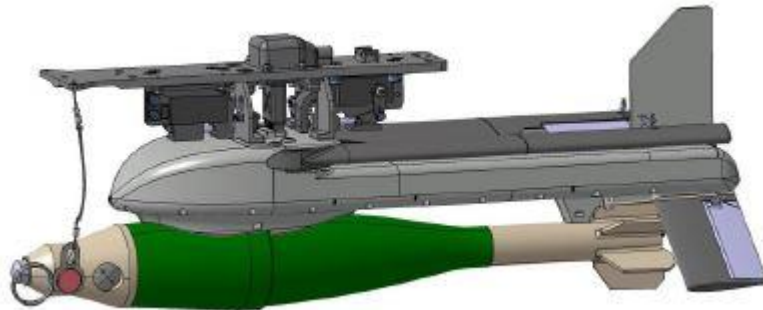




Guidance kit for 60mm mortar rounds



Guidance kit is meant for conversion of existing 60 mm mortar rounds into an affordable guided munition. Because of its small mass and dimensions, it can be carried by numerous UAVs. After release, wings on the guidance kit open providing greater range. This weapon enables high precision attacks on enemy infantry. Guidance is completely autonomous relying on GPS/INS. The system enables attacks both on fixed coordinates or on the coordinates provided by the EO payload on the UAV.

TECHNICAL CHARACTERISTICS:

Mass of the kit with mortar round:	2.5 kg
Range (from altitude of 3000 m):	6 km
Wing span:	0.6 m
Guidance:	GPS/INS
Maximum operating speed:	80 m/s